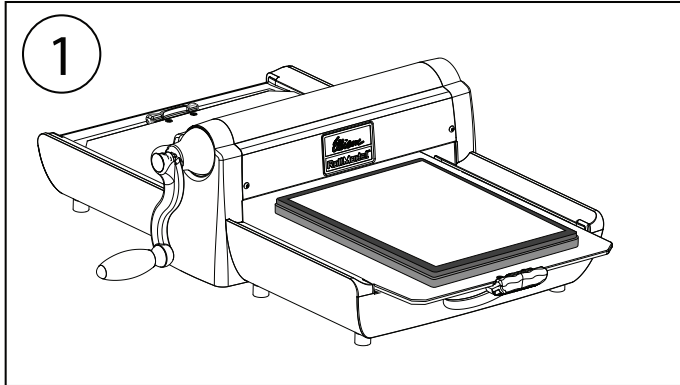
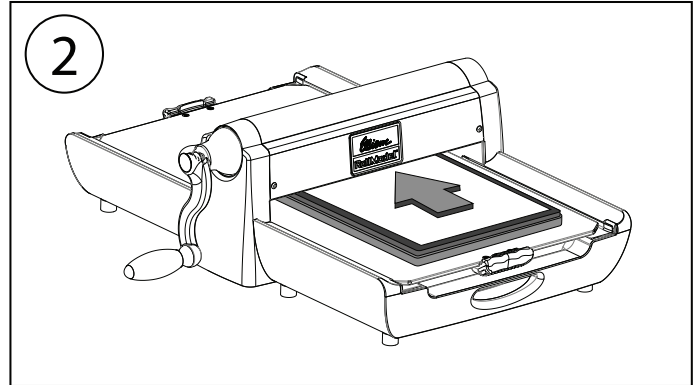


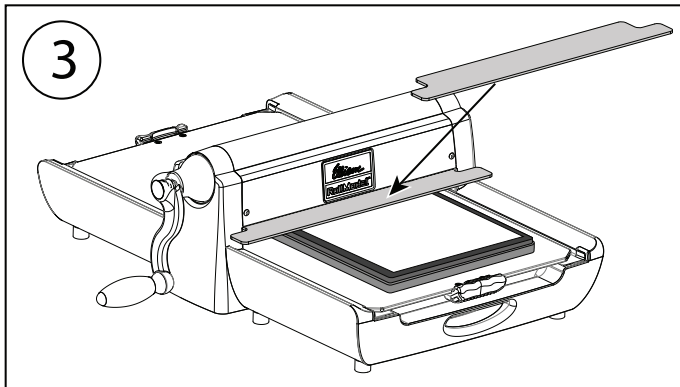
Ellison RollModel™ Cutting Shield



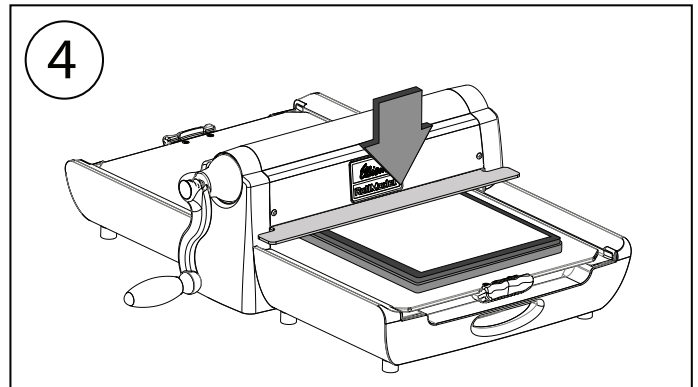
■ Place die and selected material onto the sliding tray.



■ Turn the RollModel handle until the die is touching the roller.



■ Insert the Cutting Shield into the machine between the material and the roller cover.



■ Gently apply pressure to the center of the Cutting Shield as you roll the die and material through the machine.

29076 Ellison RollModel Cutting Shield

Corporate Headquarters
25862 Commercentre Drive • Lake Forest, CA 92630-8804 USA
Within USA 800.253.2238 • Outside USA 949.598.8822
ellisoneducation.com

Ellison Europe Ltd.
Unit 3 • Whitegate Industrial Estate • Wrexham LL13 8UG, United Kingdom
Within UK 0844 499 8181 • Outside UK +44 845 345 2277
ellison europe.com